



# Audo Copenhagen Resonant Pendant

LA10675

SOURCE: <https://www.davidvillagelighting.co.uk/product/Audo-Copenhagen-Resonant-Pendant/10000757>



## PRODUCT DESCRIPTION

**Designer:** Alf Svensson

### Audo Copenhagen Resonant Pendant

The Resonant pendant is a classic lighting design from the 1950s, created by Alf Svensson and Yngvar Sandström. The designers collaborated often and embodied the ideals of Scandinavian design in the mid-20th century. This pendant light features four beautiful brass shades positioned in one another to create concentric circles, and they diffuse the light bulb, producing a glare-free light that is warm and effective.

The Resonant pendant lamp gets its name from the visual reinterpretation of light and sound, as reflections and reverberations are cast in the pendant and out into the room. The pendant comes in a stunning spun brass finish and has a size big enough to be used as a central light as well as for accent and ambient lighting. Use in homes, hospitality spaces, and more to add a vintage and stylish touch.

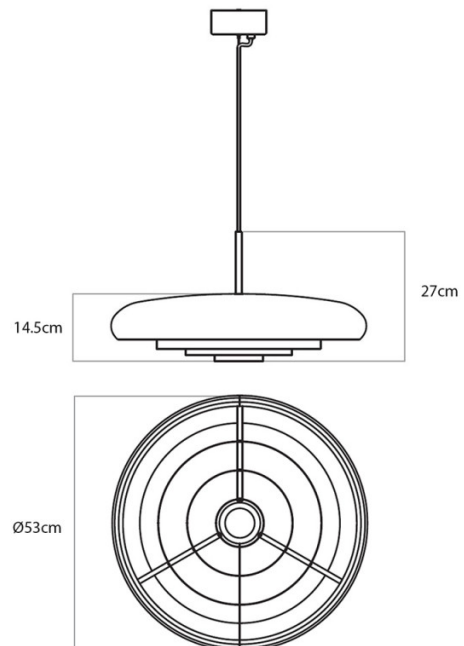
## PRODUCT SPECIFICATION

**Light Source:** 1 x Max 60W E27 (Excluded)

**IP Code:** 20

**Dimming:** Dimmable via mains phase dimming.

**Dimensions:** Shade: Ø53cm  
Shade Height: 14.5cm  
Ceiling Canopy: Ø11.5cm  
Cable Length: 400cm





**For all sales and technical enquiries, please contact:**

+44 (0)114 263 4266

[info@davidvillagelighting.co.uk](mailto:info@davidvillagelighting.co.uk)

[www.davidvillagelighting.co.uk](http://www.davidvillagelighting.co.uk)