

marset**Marset Caramel LED Wall Light**

LA11193

SOURCE: <https://www.davidvillagelighting.co.uk/product/Marset-Caramel-LED-Wall-Light/10002230>**PRODUCT DESCRIPTION****Designer:** Joan Gaspar**Marset Caramel LED Wall Light**

The Marset Caramel LED Wall Light, designed by Joan Gaspar, is a beautifully crafted fixture that blends material elegance with ambient illumination. Featuring a hand-blown glass shade, the Caramel has a striking presence both when lit and unlit. Its sculptural form plays with light and shadow, creating a glowing effect that enhances any interior. The diffused LED source emits a soft, warm light, providing a cosy and inviting atmosphere, perfect for residential and commercial spaces.

Available in three sizes (22cm, 28cm, and 38cm) and four rich colour finishes (Opal, Green, Blue, and Brown), the Caramel Wall Light offers customisable compositions, making it ideal for statement installations. Whether displayed as a single piece or in clusters, this light adapts effortlessly to different architectural styles and settings. The dimmable function (via trailing edge dimming) allows for personalised lighting intensity, and for professional settings, a DALI-compatible version is available upon request.

The Caramel LED Wall Light can also be connected in pairs or trios using an elegant black or matt gold accessory, offering a seamless, modular approach to wall lighting. This versatile fixture is hardwired for a clean, integrated installation, making it an excellent choice for hallways, lounges, hotel lobbies, or restaurants. With its refined design and ambient lighting quality, the Caramel collection is an elegant addition to modern and timeless interiors alike.

Please note, this product is also available with Dali Dimming on request, please [contact us](#) for further information and pricing.



PRODUCT SPECIFICATION

Light Source: **Small (22) & Medium (28):** 8.6W, 2700K, 1146 Lumens
Large (38): 11.5W, 2700K, 1528 Lumens

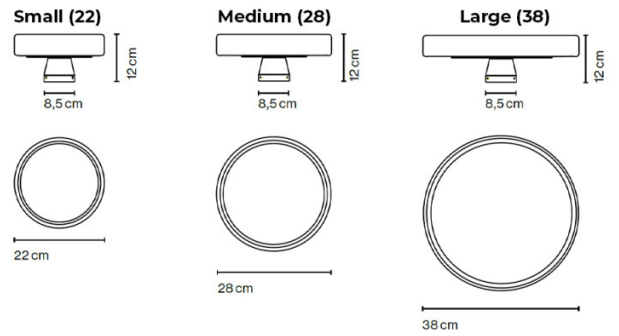
IP Code: 20

Dimming: Dimmable via Triac dimming.

Dimensions: Small (22):
Shade: Ø22cm
Base: Ø8.5cm
Depth: 11.7cm

Medium (28):
Shade: Ø28cm
Base: Ø8.5cm
Depth: 11.7cm

Large (38):
Shade: Ø38cm
Base: Ø8.5cm
Depth: 11.7cm



For all sales and technical enquiries, please contact:

+44 (0)114 263 4266

info@davidvillagelighting.co.uk

www.davidvillagelighting.co.uk