

GUBI

LA11225/72HA

Gubi 1972 Height Adjustable Pendant

SOURCE: <https://www.davidvillagelighting.co.uk/product/Gubi-1972-Height-Adjustable-Pendant/10002324>



PRODUCT DESCRIPTION

Designer: Paavo Tynell

Gubi 1972 Height Adjustable Pendant

A refined evolution of Tynell's original 1972 pendant, this height-adjustable version introduces a classic counterweight mechanism that adds both visual interest and functional control. Crafted from untreated bamboo, the conical shade is hand-assembled by artisans, with bamboo slats sewn into a pleated form and fixed to a wire frame. A linen liner inside the shade softens the light, while a fabric diffuser beneath the bulb ensures glare-free downward illumination and a warm, diffuse glow around the shade.

The height adjustment system features a solid brass counterweight — a nod to Tynell's background in both engineering and decorative design. This pulley-based mechanism allows users to customise the pendant's drop to suit different ceiling heights or ambient needs, offering added flexibility in residential and hospitality environments. With its layered natural materials and technical elegance, the Gubi 1972 Height Adjustable Pendant is a sculptural, functional piece that blends timeless Nordic design with quiet innovation.

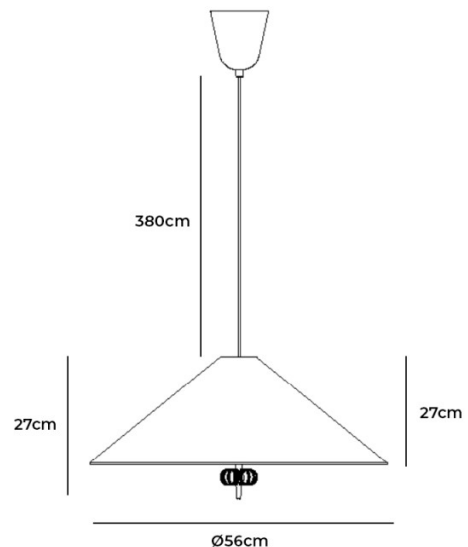
PRODUCT SPECIFICATION

Light Source: 2 x Max 10W E27 Dimmable (Excluded)

IP Code: 20

Dimming: Dimmable via mains phase dimming.

Dimensions: Height: 27.5cm
Shade: Ø62cm
Cable Length: 380cm





For all sales and technical enquiries, please contact:

+44 (0)114 263 4266

info@davidvillagelighting.co.uk

www.davidvillagelighting.co.uk