

CLEARANCE
OFFERS

Flos IC S3 Pendant CLEARANCE

LA7452/CLEAR

SOURCE: <https://www.davidvillagelighting.co.uk/product/Flos-IC-S3-Pendant-CLEARANCE/10002338>



PRODUCT DESCRIPTION

Designer: Michael Anastassiades

IC Pendant Light by Flos

BRAND NEW, OVERSTOCKED, ORIGINAL PACKAGING.
1 x Brass Available.

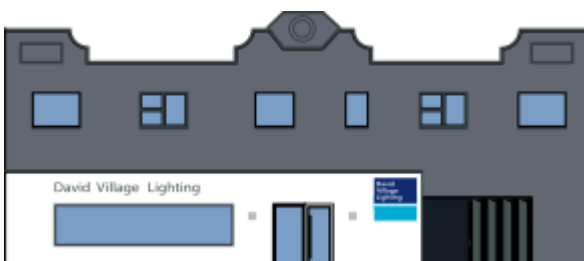
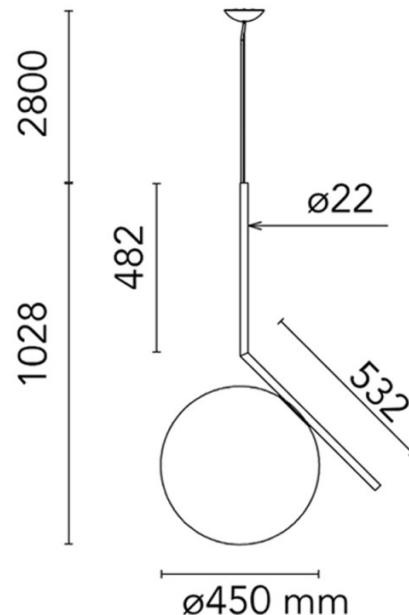
The Flos IC suspension explores balance and shapes as each light has a blown glass sphere which sits 'balanced' upon a metal rod. Simple yet effective, the Flos IC lights provide a soft, diffused glow due to its opal glossy glass sphere and are dimmable via mains phase dimming.

The iconic and revered [IC collection](#) was designed by Michael Anastassiades in 2014 for Flos and consists of floor lamps, wall lights, table lamps and suspension lights available in either brass, black or chrome.

A compatible [Flos bulb](#) can be purchased separately. Please check individual bulb pages for product compatibility.

PRODUCT SPECIFICATION

Light Source: 1 x Max 25W E27 LED (Included)
IP Code: 20
Dimming: Dimmable via mains phase dimming.
Dimensions: Ø45cm
 Height: 102.8cm
 Cable Length: 400cm



For all sales and technical enquiries, please contact:

+44 (0)114 263 4266

info@davidvillagelighting.co.uk

www.davidvillagelighting.co.uk