



Established & Sons Torch S3 Pendant

LA11267

SOURCE: <https://www.davidvillagelighting.co.uk/product/Established-Sons-Torch-S3-Pendant/10002418>



PRODUCT DESCRIPTION

Designer: Sylvain Willenz

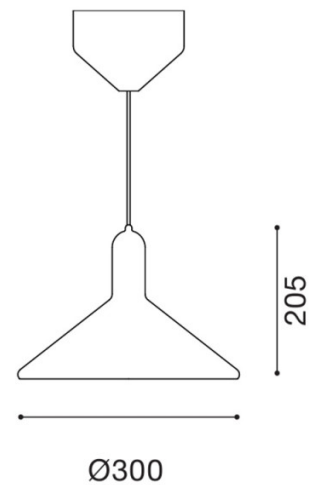
Established & Sons Torch S3 Pendant

The Torch S3 Pendant was created by Brussels-based designer Sylvain Willenz. The shape and silicone material of the shade is inspired by a handheld torch. Within the shade is a diamond-patterned diffuser – a reference to a car headlight. The S3 is part of the [Torch Collection](#), which includes three pendants and two bunch suspensions. Willenz originally designed the [S1 Pendant](#) before deciding to use this conical design to create the slightly larger S3, which produces even more light into the space below.

The wide, conical shade guides light downward into a functional task-lighting, perfect for illuminating a dining table, kitchen island, or desk. Like the other pieces from the Torch Collection, the S3 is available in yellow, red, and black, with a fabric-covered cable that matches the shade’s finish. This allows you to create a fun and lively look by combining different colours and sizes. In commercial settings, the Torch S3 Pendant is well-suited to colourful and contemporary spaces such as a vibrant café.

PRODUCT SPECIFICATION

- Light Source:** 1 x Max 6W E14 LED (Excluded)
- IP Code:** 20
- Dimming:** Dimmable via mains phase dimming.
- Dimensions:**
 - Ø30cm
 - Height: 205cm
 - Canopy: Ø15cm
 - Canopy Height: 8.2cm
 - Cable Length: 200cm





For all sales and technical enquiries, please contact:

+44 (0)114 263 4266

info@davidvillagelighting.co.uk

www.davidvillagelighting.co.uk