

HAY

HAY Ava Pyramid Table Lamp

LA11324

SOURCE: <https://www.davidvillagelighting.co.uk/product/HAY-Ava-Pyramid-Table-Lamp/10002510>

PRODUCT DESCRIPTION

Designer: Ana Kraš

HAY Ava Pyramid Table Lamp

The HAY Ava Pyramid Table Lamp translates the classic lampshade into a striking geometric form. Crafted from ECOPET™, a recycled polyester material made from post-consumer plastics, the shade has a semi-translucent, paper-like surface that glows softly when lit. High-contrast fabric piping defines the pyramid profile, adding a graphic quality to its calm silhouette. The warm diffusion is ideal for reading corners, bedside tables, and shelves, giving rooms a gentle ambience.

Originally created by Ana Kraš from an impromptu mix of wire, paper, and tape, the design has been refined for HAY into a durable, everyday lamp. The HAY Ava Pyramid Table Lamp is available in two sizes and works with a standard E27 bulb for easy maintenance. Its monochrome palette and clean geometry suit both minimalist and eclectic interiors, bringing tactile character and sustainable innovation into daily living.



PRODUCT SPECIFICATION

Light Source: 1 x Max 15W E27 LED (Excluded)

IP Code: 20

Dimming: In-line on/off switch included on cable.

Dimensions: 290:

Width: 29cm

Depth: 29cm

Height: 32cm

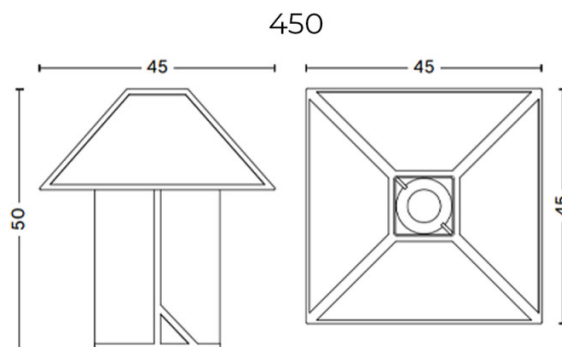
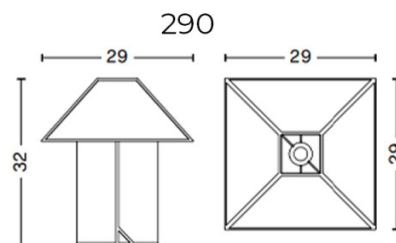
450:

Width: 45cm

Depth: 45cm

Height: 50cm

Cable Length: 240cm





For all sales and technical enquiries, please contact:

+44 (0)114 263 4266

info@davidvillagelighting.co.uk

www.davidvillagelighting.co.uk