

FLOS

Flos Seki-Han Suspension

LA11404

SOURCE: <https://www.davidvillagelighting.co.uk/product/Flos-Seki-Han-Suspension/10002612>

PRODUCT DESCRIPTION

Designer: Tobia Scarpa

Flos Seki-Han Suspension

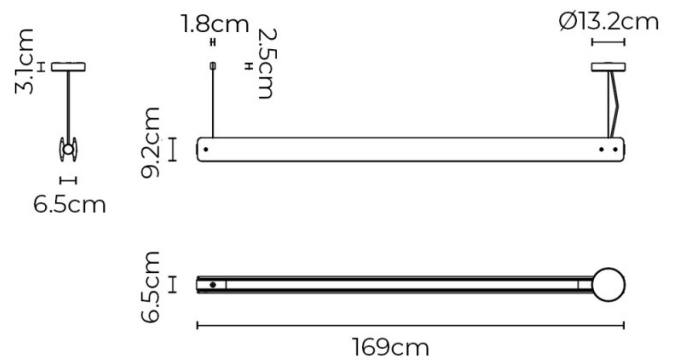
The Seki-Han Suspension was designed by Italian designer Tobia Scarpa. Originally produced in 1963 as a floor lamp, a 2025 reissue introduces an elegant suspension model. The suspension is characterised by two horizontal ash wood blades, joined by chromed metal fittings. These wooden blades are expertly handcrafted to enhance the natural properties of the material, giving each lamp an aesthetic uniqueness. A custom-developed, dimmable linear LED light source is housed between the pieces of ash. If required, the lamp can also be fitted with standard T8 LED tubes.

The Seki-Han Suspension beautifully showcases Tobia Scarpa's innovative approach to design. The ash blades rotate around the light source, emitting direct and indirect light with symmetrical and asymmetrical distribution. This adjustable lighting is perfect for use above a work surface or dining table, allowing users to change between functional direct lighting and ambient indirect lighting as required. When closed, a slight sliver of light remains visible, adding to the suspension's poetic elegance. In hospitality settings, the Seki-Han Suspension can be installed in multiples above long bars or tables for a captivating lighting solution that creates a comfortable and inviting ambience.



PRODUCT SPECIFICATION

- Light Source:** 1 x Max 20W LED G13 T8 2700K, 2800 Lumens (Included)
- IP Code:** 20
- Dimming:** Dimmable via mains phase dimming.
- Dimensions:** Length: 169cm
Height: 9.2cm
Width: 6.5cm
Cable Length: 300cm





For all sales and technical enquiries, please contact:

+44 (0)114 263 4266

info@davidvillagelighting.co.uk

www.davidvillagelighting.co.uk