

Artemide

Artemide Tolomeo Mega Suspension

LA8907/420S

SOURCE: <https://www.davidvillagelighting.co.uk/product/Artemide-Tolomeo-Mega-Suspension/12341>



PRODUCT DESCRIPTION

Designer: Michele De Lucchi & Giancarlo Fassina

Artemide Tolomeo Mega Suspension

The Artemide Tolomeo Mega Suspension is a refined extension of the iconic [Tolomeo Collection](#), originally conceived by designers Michele De Lucchi and Giancarlo Fassina. Characterised by its clean, minimalist aluminium structure and softly diffused fabric or parchment shade, the Mega Suspension translates the functional elegance of the original task lamp into a suspension. Its simple yet sculptural presence makes it both a lighting solution and a visual focal point, offering a balanced blend of contemporary style and classic Italian design heritage.

The Tolomeo Mega Suspension provides warm, diffused ambient light with a downward-directed glow. This glare-free light is well-suited to areas that require a comfortable ambience, such as dining rooms, living rooms, or hospitality settings like restaurants and bars. It works best in large areas with high ceilings, where it can create a soft pool of light that enhances the surrounding space without overwhelming it.

PRODUCT SPECIFICATION

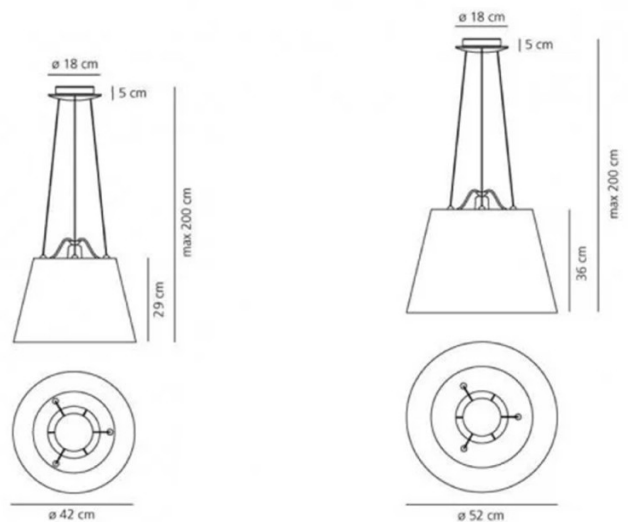
Light Source: 1 x Max 21W E27 LED (Excluded)

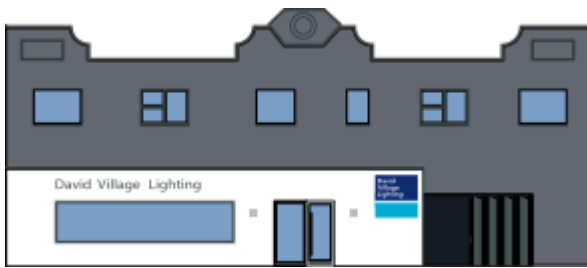
IP Code: 20

Dimming: Dimmable via mains phase dimming.

Dimensions: 42
Shade: Ø42cm
Height: 29cm
Drop Height: 200cm

52
Shade: Ø52cm
Height: 36cm
Drop Height: 200cm





For all sales and technical enquiries, please contact:

+44 (0)114 263 4266

info@davidvillagelighting.co.uk

www.davidvillagelighting.co.uk