

FLOS

Flos Tatou Floor Lamp

LA6218

SOURCE: <https://www.davidvillagelighting.co.uk/product/Flos-Tatou-Floor-Lamp/13036>



PRODUCT DESCRIPTION

Designer: Patricia Urquiola

Flos Tatou Floor Lamp

With its distinctive shell-like shade, the Flos Tatou Floor Lamp by Patricia Urquiola was inspired by classic Japanese armour. Tatou derives its name from the French word for armadillo, and its influence can be seen in the intricate lattice diffuser, which provides a soft light. The illumination escapes through the top and bottom of the shade, providing an evenly dispersed illumination.

The Tatou series includes this floor lamp, and also a [pendant](#) and a [table lamp](#). The rest of the range can be used in conjunction with the Tatou Floor Lamp to create a harmonic feel and cohesive aesthetic, or the Tatou lights work equally as well as a stand-alone piece due to their decorative and stylish design. Available in two colours, ochre grey or white, the Flos Tatou Floor Lamp provides a warm ambience and sits comfortably in a variety of environments, including living rooms, conservatories, bedrooms and studies.

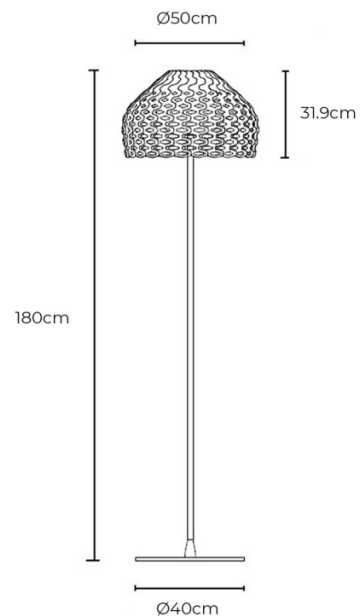
PRODUCT SPECIFICATION

Light Source: 1 x Max 21W E27 LED (Excluded)

IP Code: 20

Dimming: In-line dimmer included on cable.

Dimensions: Shade: Ø50cm
Shade Height: 31.9cm
Full Height: 180cm
Base: Ø40cm
Cable Length: 170cm





For all sales and technical enquiries, please contact:

+44 (0)114 263 4266

info@davidvillagelighting.co.uk

www.davidvillagelighting.co.uk