

Artemide

# Artemide Tolomeo Due Bracci Suspension

LA6221

SOURCE: <https://www.davidvillagelighting.co.uk/product/Artemide-Tolomeo-Due-Bracci-Suspension/13039>

## PRODUCT DESCRIPTION

**Designer:** Michele De Lucchi & Giancarlo Fassina

### Artemide Tolomeo Due Bracci Suspension

The Artemide Tolomeo Due Bracci Suspension is a modern take on a classic design. Utilising the articulated arm system synonymous with the [Tolomeo Collection](#), Due Bracci features two spring-balanced arms that open out from a single stem. This adjustable frame allows users to manoeuvre the suspension to create direct task lighting or an indirect ambient glow.

Crafted from aluminium, the Tolomeo Due Bracci Suspension boasts a clean, minimalistic structure that suits a wide range of contemporary decors. This material gives the lamp a modern and sophisticated presence, while maintaining remarkable lightness and durability. The Tolomeo Due Bracci suits environments where bright, direct light is required, such as a reading nook, office space or restaurant.



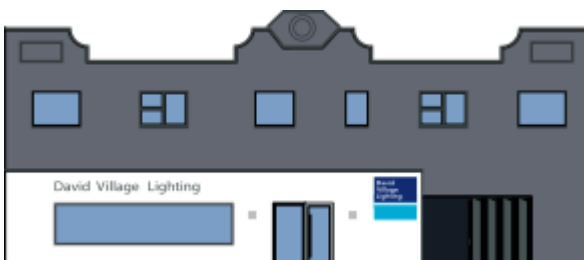
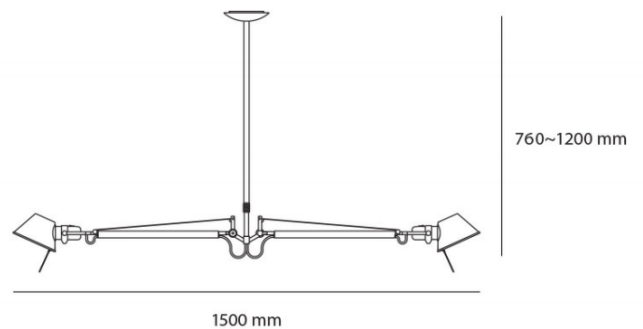
## PRODUCT SPECIFICATION

**Light Source:** 2 x Max 12W E27 (Excluded)

**IP Code:** 20

**Dimming:** Dimmable via mains phase dimming.

**Dimensions:** Length: 150cm  
Drop Height: 76-120cm



**For all sales and technical enquiries, please contact:**

+44 (0)114 263 4266

[info@davidvillagelighting.co.uk](mailto:info@davidvillagelighting.co.uk)

[www.davidvillagelighting.co.uk](http://www.davidvillagelighting.co.uk)