

Artemide

LA7350/MICRO

# Artemide Pirce Micro LED Wall Light

SOURCE: <https://www.davidvillagelighting.co.uk/product/Artemide-Pirce-Micro-LED-Wall-Light/14559>

## PRODUCT DESCRIPTION

**Designer:** Giuseppe Maurizio Scutella

### Artemide Pirce Micro LED Wall Light

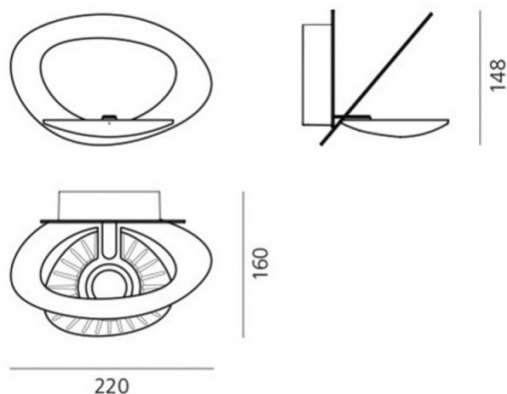


The Pirce Micro LED Wall Light is a sculptural and contemporary design by Giuseppe Maurizio Scutellà for Artemide. The Pirce Micro is a small version of the [Pirce Wall Light](#), featuring a more compact design that's suited to smaller spaces. The frame is formed of laser-cut discs for a lightweight design with an ornamental appearance, even when not in use. The Pirce is available in a choice of a white or gold finish, which complements the light's elegant presence.

When illuminated, the Pirce Micro LED Wall Light emits an upward-directed glow, which is reflected and refracted by the metal discs to cast an alluring play of light and shadow against the surrounding wall. While the gold finish is available with a colour temperature of 3000K, the white finish is available with a choice between 2700K and 3000K, letting you choose a temperature that perfectly suits your space.

## PRODUCT SPECIFICATION

- Light Source:** 27W, 2700K, 2586 Lumens  
or  
27W, 3000K, 2768 Lumens
- IP Code:** 20
- Dimming:** Push to make/switch dimming, dimmable using push-to-make switches. Please consult your electrician; additional wiring may be required on-site.
- Dimensions:** Width: 22cm  
Depth: 16cm  
Height: 14.8cm





**For all sales and technical enquiries, please contact:**

+44 (0)114 263 4266

[info@davidvillagelighting.co.uk](mailto:info@davidvillagelighting.co.uk)

[www.davidvillagelighting.co.uk](http://www.davidvillagelighting.co.uk)