



Artemide Talo LED Suspension

LA7739

SOURCE: <https://www.davidvillagelighting.co.uk/product/Artemide-Talo-LED-Suspension/15010>



PRODUCT DESCRIPTION

Designer: Neil Poulton

Artemide Talo LED Suspension

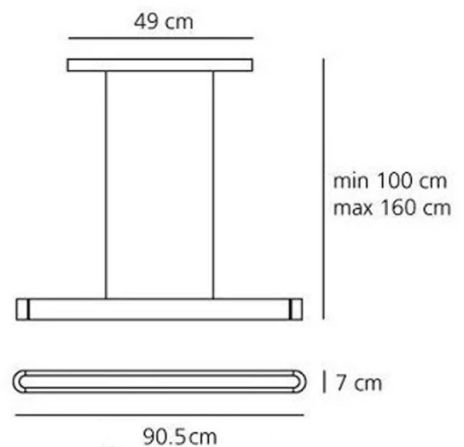
Crafted from aluminium, the Artemide Talo Suspension is defined by its clean lines and uncluttered profile. Designer Neil Poulton has perfected the art of simplicity in design, resulting in a sleek and sultry suspension that is both essential and functional. The suspension is available in three finishes: White, Black, or Silver, to suit a range of interiors.

The Talo Suspension offers a quiet, architectural presence. When illuminated, the integrated LED casts light in an upward and downward glow for functional lighting that adds a comfortable ambience and a sense of depth to the room. This bright lighting makes the Talo well-suited above a dining table, desk, or kitchen island, illuminating the surface below. In commercial spaces, display the Talo in a contemporary hotel or office space for comfortable lighting with a touch of sophistication. The dimmable version allows users to modify light output to suit any mood.

Please note, the Talo Suspension is also available in two larger sizes, measuring at 120cm and 150cm in length. [Contact us](#) for pricing and information.

PRODUCT SPECIFICATION

- Light Source:** 32W, 3000K, 3707 Lumens
- IP Code:** 20
- Dimming:** **Dimmable Version:** Dimmable via Push to make/switch dimming, dimmable using push to make switches. Please consult your electrician; additional wiring may be required.
- Dimensions:** Length: 90.5cm
Height: 7cm
Cable Length: 100-160cm





For all sales and technical enquiries, please contact:

+44 (0)114 263 4266

info@davidvillagelighting.co.uk

www.davidvillagelighting.co.uk