

Artemide

# Artemide Tolomeo Decentrata Suspension Light

LA3331

SOURCE: <https://www.davidvillagelighting.co.uk/product/Artemide-Tolomeo-Decentrata-Suspension-Light/15773>



## PRODUCT DESCRIPTION

**Designer:** Michele De Lucchi & Giancarlo Fassina

### Artemide Tolomeo Decentrata Suspension

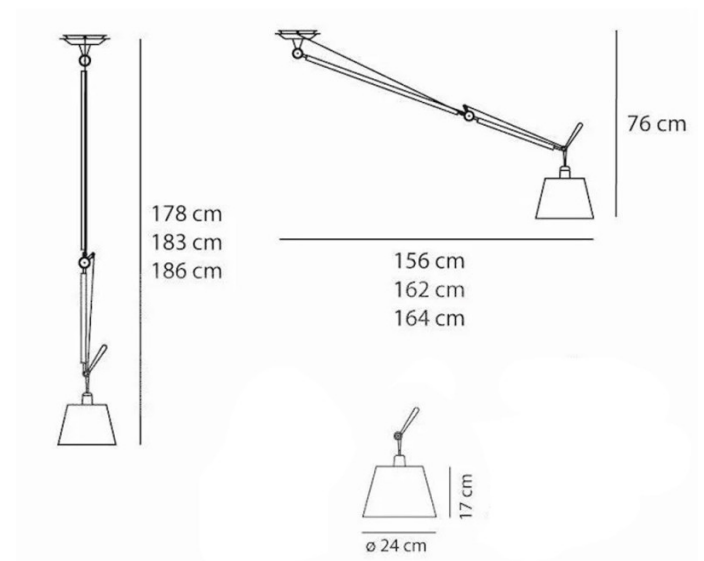
A striking reinterpretation of a design icon, the Artemide Tolomeo Decentrata Suspension adapts the brand's signature spring-balanced arm into a ceiling-mounted format, allowing the light source to be offset from the ceiling point. This clever, articulated structure offers exceptional flexibility, making it easy to position light precisely where it's needed without relying on multiple fixtures.

The Tolomeo Decentrata Suspension emits a soft, warm, and evenly diffused light, creating a comfortable ambient glow without harsh shadows. Ideal for dining areas, living spaces, and open-plan interiors, it combines functional adaptability with a strong visual presence, making it both a practical lighting solution and a refined design feature.

The Artemide Tolomeo Decentrata is also available in two larger sizes (Ø32cm and Ø36cm) and with a silk diffuser. Please [contact us](#) for more information and pricing.

## PRODUCT SPECIFICATION

- Light Source:** 1 x Max 17W LED E27 (Excluded)
- IP Code:** 20
- Dimming:** Dimmable via mains phase dimming.
- Dimensions:** Ø24 cm  
Height: 178cm  
Length: 156cm





**For all sales and technical enquiries, please contact:**

+44 (0)114 263 4266

[info@davidvillagelighting.co.uk](mailto:info@davidvillagelighting.co.uk)

[www.davidvillagelighting.co.uk](http://www.davidvillagelighting.co.uk)