

ANGLEPOISE®

LA3187/MH

# Anglepoise + Margaret Howell Type 75 Desk Lamp

SOURCE: <https://www.davidvillagelighting.co.uk/product/Anglepoise-Margaret-Howell-Type-75-Desk-Lamp/16411>

## PRODUCT DESCRIPTION

**Designer:** Sir Kenneth Grange & Margaret Howell

### Anglepoise Margaret Howell Type 75 Desk Lamp

Designed from a collaboration between Margaret Howell and Anglepoise Design Director Sir Kenneth Grange the [Type 75 desk lamp](#) now comes with new colours, adding a fresh look to an already modernistic and chic lamp.

Margaret Howell's and Anglepoise's aesthetic vision combine beautifully in this table light as they both put functionality, timelessness and quality as must-haves in every piece of design. After finding an old Anglepoise lamp from the 1970s, Margaret Howell colour-matched the lamp to create the stunning Yellow Ochre colour which was first seen in 2012. Howell has since developed more colours that stand out and hark back to vintage design, resulting in a range of lights that are iconic and stylish.

Sir Kenneth Grange's sleek and contemporary Type 75 desk lamp design has brought Anglepoise into the 21st century, producing a light that is both functional and fashionable. With a movable arm and shade, the Type 75 table light features the signature Anglepoise spring mechanism, allowing for easy flexibility to produce a focused and directional light perfect for lounge areas, bedrooms and offices. Suitable for home and commercial spaces, inject some colour into your life with the Margaret Howell edition of the Type 75 table lamp and pair with others of the [Type 75 collection](#) to create a completely seamless design scheme.



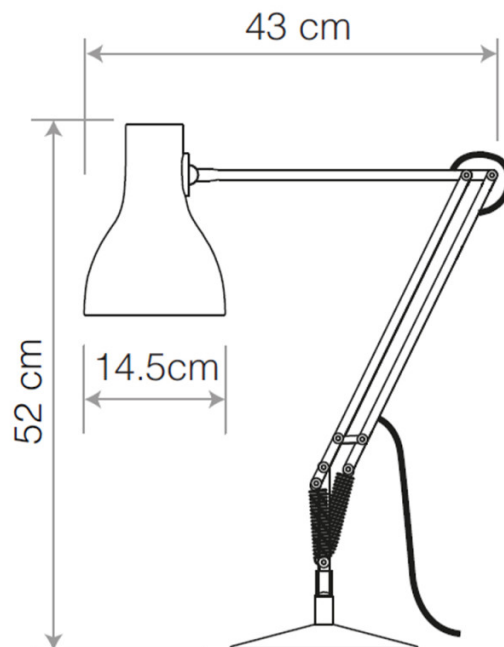
## PRODUCT SPECIFICATION

**Light Source:** 1 x Max 6W E27 LED (included)

**IP Code:** 20

**Dimming:** In-line on/off switch included on cable.

**Dimensions:** Shade: Ø14.5cm  
Shade Height: 19.2cm  
Base: Ø19cm  
Maximum Horizontal Reach: 71cm  
Maximum Vertical Reach: 90cm  
Cable Length: 180cm



**For all sales and technical enquiries, please contact:**

+44 (0)114 263 4266

[info@davidvillagelighting.co.uk](mailto:info@davidvillagelighting.co.uk)

[www.davidvillagelighting.co.uk](http://www.davidvillagelighting.co.uk)