



# Moooi Perch Light LED Table Lamp

LA4771

SOURCE: <https://www.davidvillagelighting.co.uk/product/Moooi-Perch-Light-LED-Table-Lamp/17926>

## PRODUCT DESCRIPTION

Designer: Umut Yamac

### Moooi Perch Light Table Lamp

Designed by Umut Yamac, the Perch Light Table Lamp was inspired by nature, characterised by a small bird perched on a brass branch. Yamac experimented with a variety of materials for the bird before settling on polypropylene paper for its archival properties to create a durable product. The paper is folded until an origami-like form is created, giving the bird a delicate aesthetic. Brass-painted aluminium detailing adds to the ornamental appearance of the table lamp. At a gentle touch or soft breeze, the bird is set in motion, rocking on its brass perch.

When switched on, the polypropylene paper diffuses light into a soft glow that surrounds the lamp. This warm lighting creates a cosy ambience and a sense of calm, perfect for bedrooms, living areas, and reading nooks. In commercial spaces, the Perch Table Lamp complements luxurious boutiques and high-end restaurants. Display with other products from the [Perch Collection](#) to create an elegant installation that will capture the imagination of all who view it.



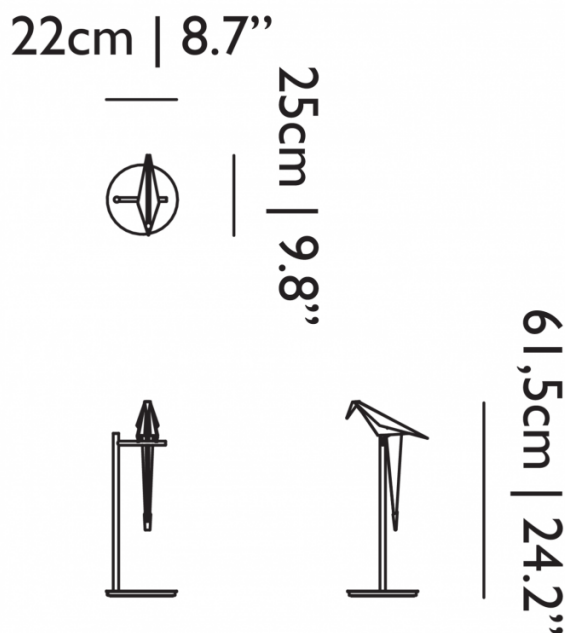
## PRODUCT SPECIFICATION

**Light Source:** 5W, 3000K, 90 Lumens

**IP Code:** 20

**Dimming:** In-line on/off switch on the cable.

**Dimensions:** Height: 61.5cm  
Width: 25cm  
Depth: 22cm  
Cable Length: 300cm





**For all sales and technical enquiries, please contact:**

+44 (0)114 263 4266

[info@davidvillagelighting.co.uk](mailto:info@davidvillagelighting.co.uk)

[www.davidvillagelighting.co.uk](http://www.davidvillagelighting.co.uk)