

Artemide

## Artemide Teti Ceiling / Wall Light

LA5578

SOURCE: <https://www.davidvillagelighting.co.uk/product/Artemide-Teti-Ceiling-Wall-Light/19289>



### PRODUCT DESCRIPTION

**Designer:** Vico Magistretti

### Artemide Teti Ceiling / Wall Light

Designed in 1970 by Vico Magistretti, the Artemide Teti still retains that retro and vintage look and has become a classic for the brand. Teti is suitable for use both as a ceiling or a wall light, and you can also install multiple lights and create unique configurations. The light enhances any interior, providing an evenly diffused illumination that provides ample light.

The bold colour palette is the focal point of this design, adding a retro feel to modern spaces. The Artemide Teti Ceiling/Wall Light is available in six finishes: white, transparent orange, anthracite grey, orange, or transparent, as well as a new-for-2026, Ruby Red, chosen in collaboration with Danese Milano. Made of thermoplastic material, its essential structure allows for versatile use, adapting easily to a variety of contemporary and classic interiors. Teti is suitable for both residential and commercial projects, becoming a distinctive element no matter where it is displayed.

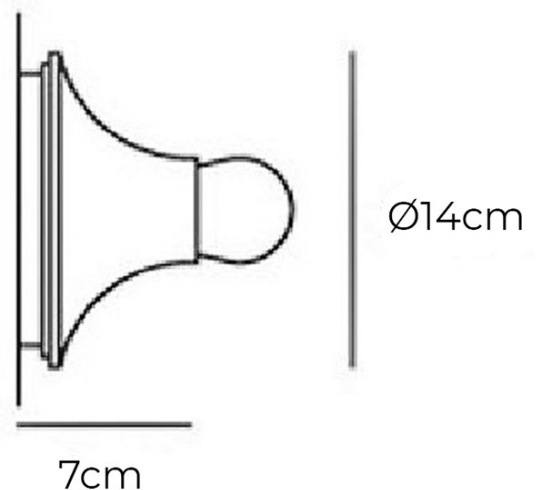
### PRODUCT SPECIFICATION

**Light Source:** 1 x Max 6W LED DIM E27 (Excluded)

**IP Code:** 20

**Dimming:** Dimmable via mains phase dimming.

**Dimensions:** Ø14cm  
Depth: 7cm





**For all sales and technical enquiries, please contact:**

+44 (0)114 263 4266

[info@davidvillagelighting.co.uk](mailto:info@davidvillagelighting.co.uk)

[www.davidvillagelighting.co.uk](http://www.davidvillagelighting.co.uk)