



# Audo Copenhagen Bank Pendant

LA5856

SOURCE: <https://www.davidvillagelighting.co.uk/product/Audo-Copenhagen-Bank-Pendant/19810>



## PRODUCT DESCRIPTION

**Designer:** Norm Architects

### Audo Copenhagen Bank Pendant

The Bank Pendant was designed by Norm Architects, a frequent collaborator of lighting brand Audo Copenhagen. Norm Architects are aptly named as they strive to use the traditions and norms already within design and architecture. Taking from the traditions of Scandinavian design, the group create objects of simplicity and elegance, two things which this beautiful pendant light embodies.

Made from mouth-blown glass with a chic black metal fitting, the Audo Copenhagen Bank Pendant exhibits a soft, rounded silhouette which is graceful and minimalist in nature. The lampshade provides diffused illumination, perfect for a range of environments. The pendant lamp can be used as accent lighting or as main lighting, depending on whether used alone or in multiples. Suitable for a wide variety of settings, the Bank Pendant Light brings the best of Nordic design and refinement to any interior.

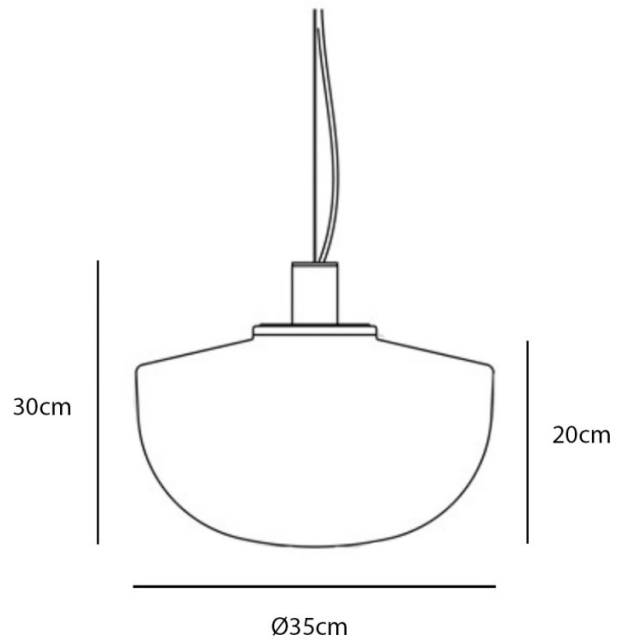
## PRODUCT SPECIFICATION

**Light Source:** 1 x Max 60W E27 (Excluded)

**IP Code:** 20

**Dimming:** Dimmable via mains phase dimming.

**Dimensions:** Shade: Ø35cm  
Height: 20cm  
Ceiling Canopy: Ø11.5cm  
Cable Length: 400cm





**For all sales and technical enquiries, please contact:**

+44 (0)114 263 4266

[info@davidvillagelighting.co.uk](mailto:info@davidvillagelighting.co.uk)

[www.davidvillagelighting.co.uk](http://www.davidvillagelighting.co.uk)