



Bover Plafonet 43 Ceiling Light

LA10005/43

SOURCE: <https://www.davidvillagelighting.co.uk/product/Bover-Plafonet-43-Ceiling-Light/20222>

PRODUCT DESCRIPTION

Designer: Carles Riart, Lluís Porqueras & Joana Bover

Bover Plafonet 43 Ceiling Light

The Bover Plafonet Ceiling Light is a design that is inspired by simplicity and quality. This ceiling light was designed by Lluís Porqueras, Joana Bover and Carles Riart in 2005, and was born right inside the Bover offices. The elegant shape and minimalistic body ensures that the Plafonet can easily blend into various interiors. Available in three fabric options, white ribbon, cream ribbon and white cotton - with small chrome detailing, adding to its sophisticated and elegant design.

The two light sources are diffused through a plate of opal glass that sits at the bottom of the shade, it provides general lighting that is ambient and inviting. The Bover Plafonet Ceiling Light makes a beautiful addition to your hallway, living area or bedroom.



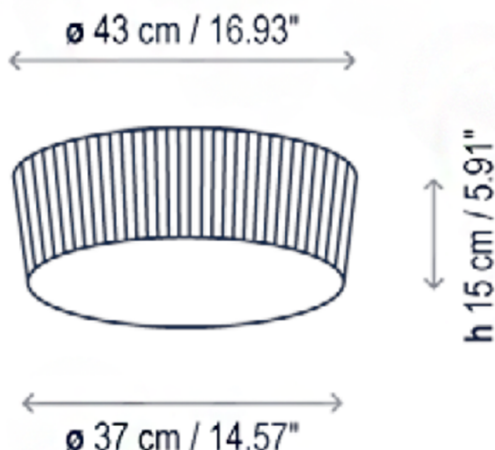
PRODUCT SPECIFICATION

Light Source: 2 x Max 9W LED E27 (excluded)

IP Code: 20

Dimming: Dimmable via mains phase dimming.

Dimensions: Base of Shade: Ø 43cm
Bottom of Shade: Ø 37cm
Depth: 15cm



For all sales and technical enquiries, please contact:

+44 (0)114 263 4266

info@davidvillagelighting.co.uk

www.davidvillagelighting.co.uk